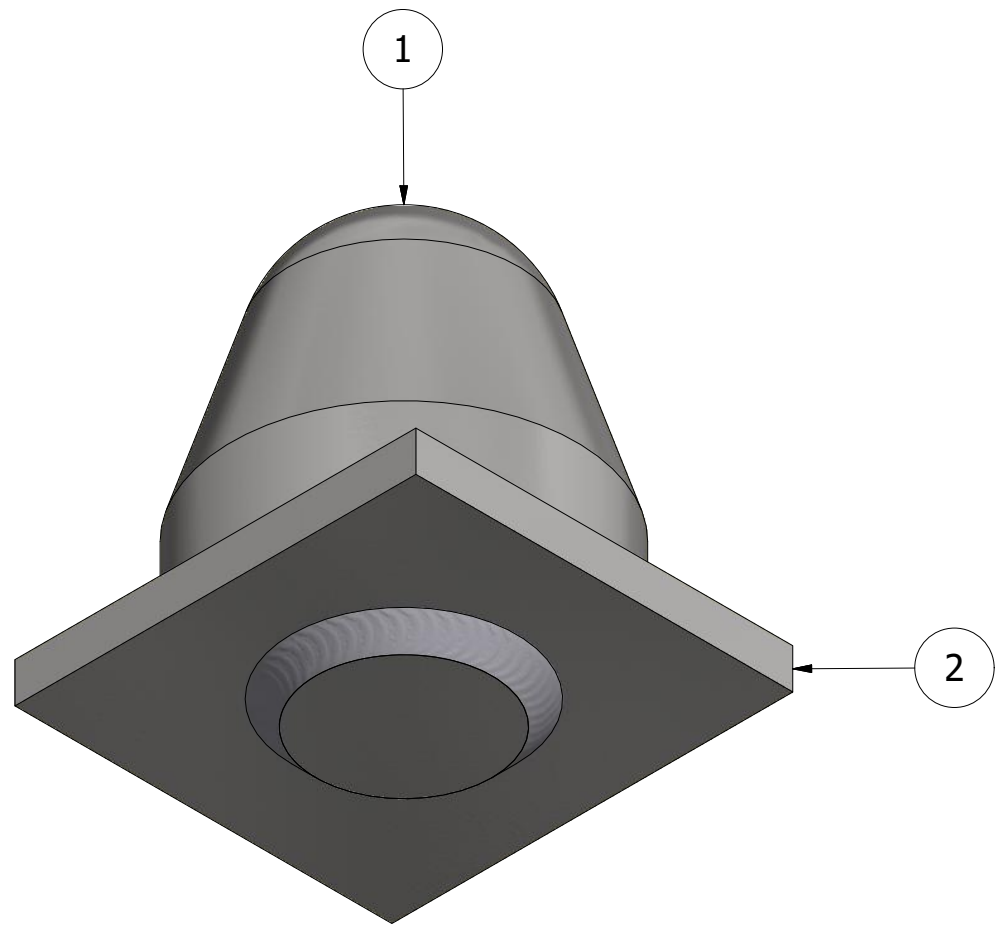
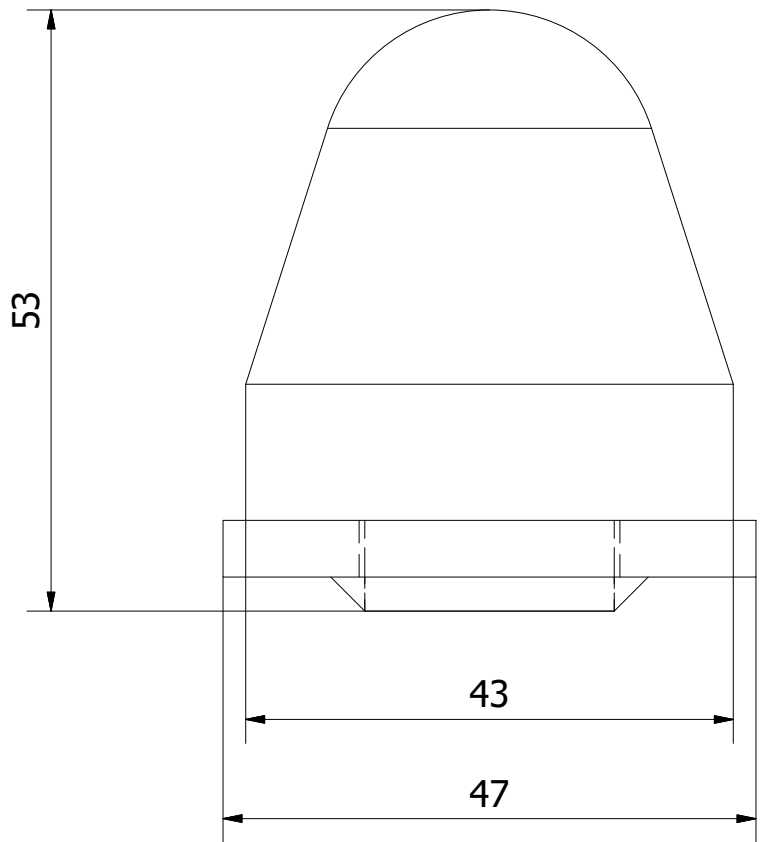


| PARTS LIST |     |                    |                   |
|------------|-----|--------------------|-------------------|
| ITEM       | QTY | DESCRIPTION        | MATERIAL          |
| 1          | 1   | Spigot 50mm        | Steel, Galvanized |
| 2          | 1   | Base Plate 50x47mm | Steel, Galvanized |



|   |         |      |  |      |  |             |                       |  |       |     |  |
|---|---------|------|--|------|--|-------------|-----------------------|--|-------|-----|--|
| DESIGNED  | RGB     | SIGN |  | DATE |  | CLIENT      | <b>RGB INDUSTRIES</b> |  |       |     |  |
| DRAWN   | Brenton |      |  |      |  | PROJECT     |                       |  |       |     |  |
| CHECKED   |         |      |  |      |  | DESCRIPTION | FABRICATION DETAIL    |  |       |     |  |
| APPROVED  |         |      |  |      |  | TITLE       | SPIGOT 50mm           |  |       |     |  |
| ALL INTELLECTUAL PROPERTY REMAINS THE PROPERTY OF RGB INDUSTRIES OR ITS SUBSIDIARIES. |         |      |  |      |  | JOB #       |                       |  | SCALE | NTS | ALL DIMENSIONS IN MM UNLESS OTHERWISE STATED |
|   |         |      |  |      |  | DWG#        | 1000_Spigot 50mm      |  |       |     |  |