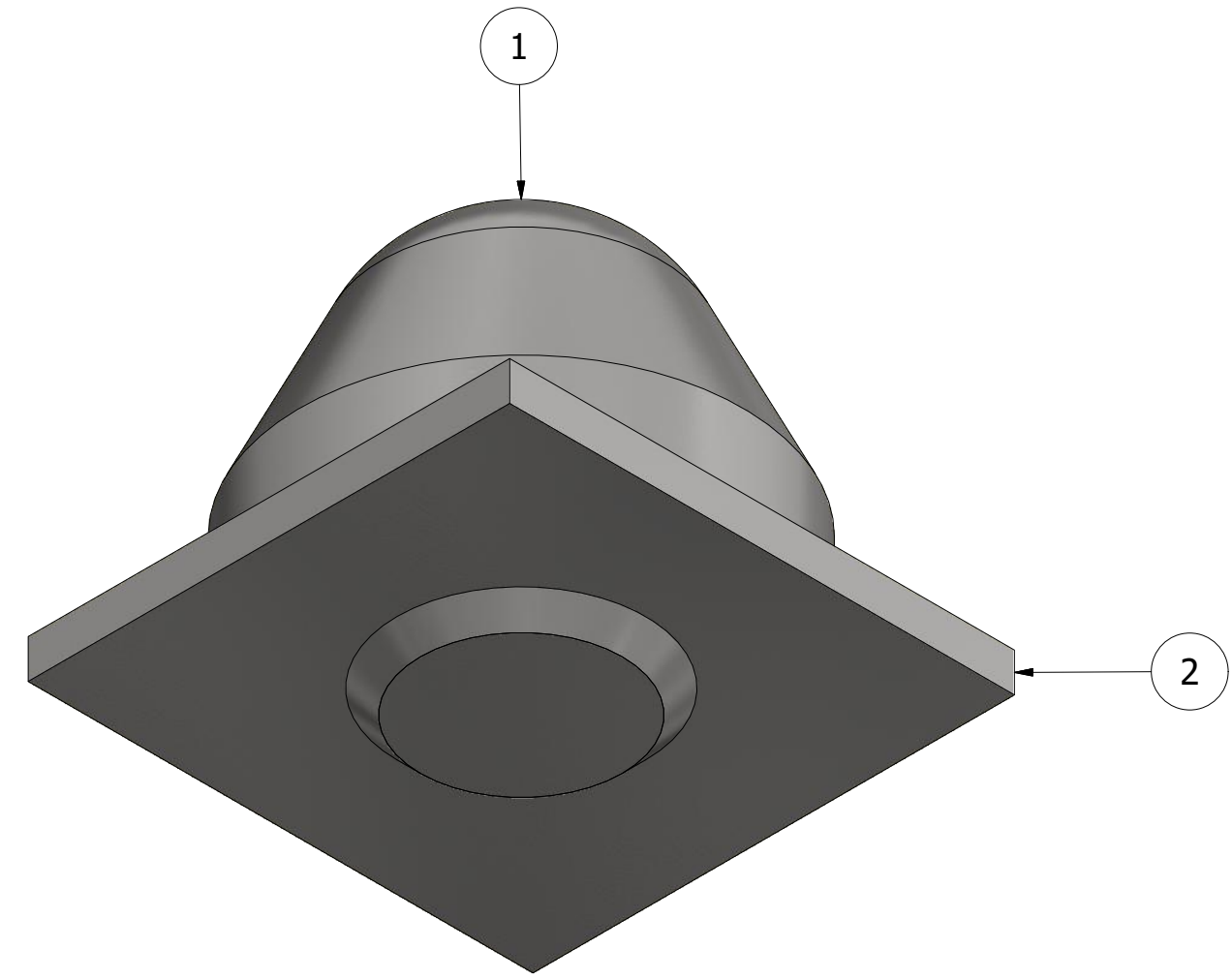
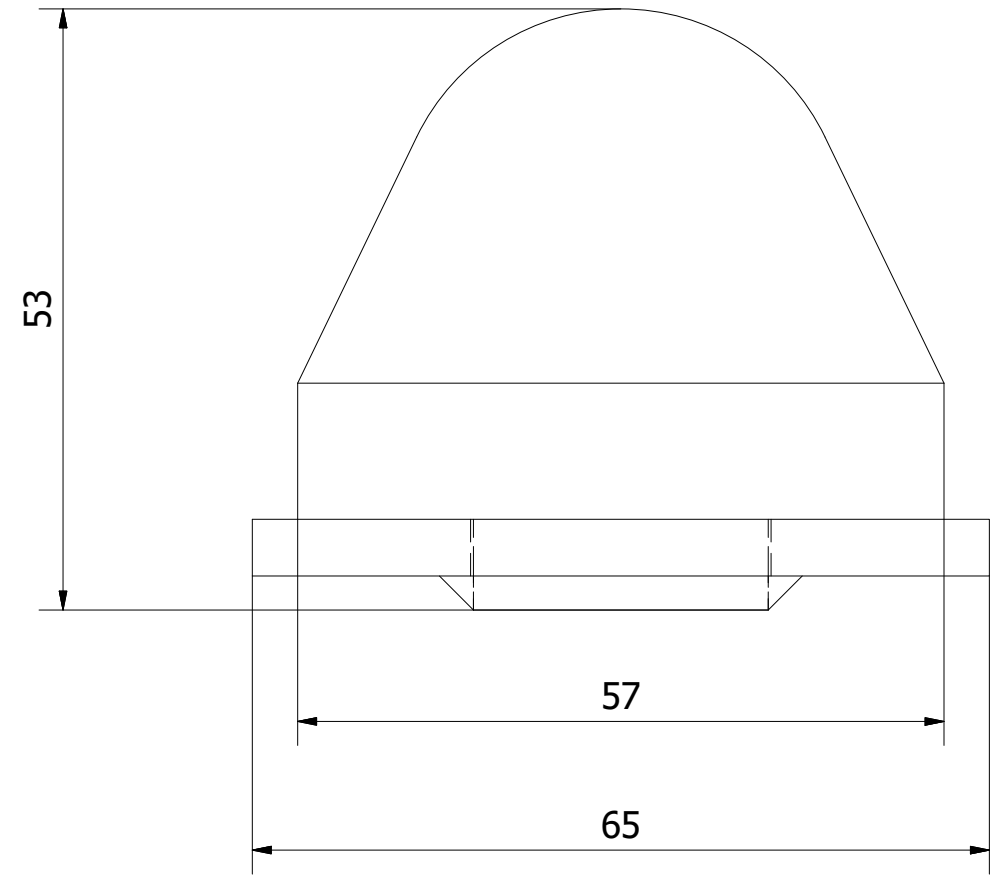


PARTS LIST			
ITEM	QTY	DESCRIPTION	MATERIAL
1	1	Spigot 65mm	Steel, Galvanized
2	1	Base Plate 65x62mm	Steel, Galvanized



DESIGNED	RGB	SIGN		DATE		CLIENT	RGB INDUSTRIES				
DRAWN	Brenton					PROJECT					
CHECKED						DESCRIPTION	FABRICATION DETAIL				
APPROVED						TITLE	SPIGOT 65mm				
ALL INTELLECTUAL PROPERTY REMAINS THE PROPERTY OF RGB INDUSTRIES OR ITS SUBSIDIARIES.						JOB #			SCALE	NTS	ALL DIMENSIONS IN MM UNLESS OTHERWISE STATED
						DWG#	1000_Spigot 65mm				A3