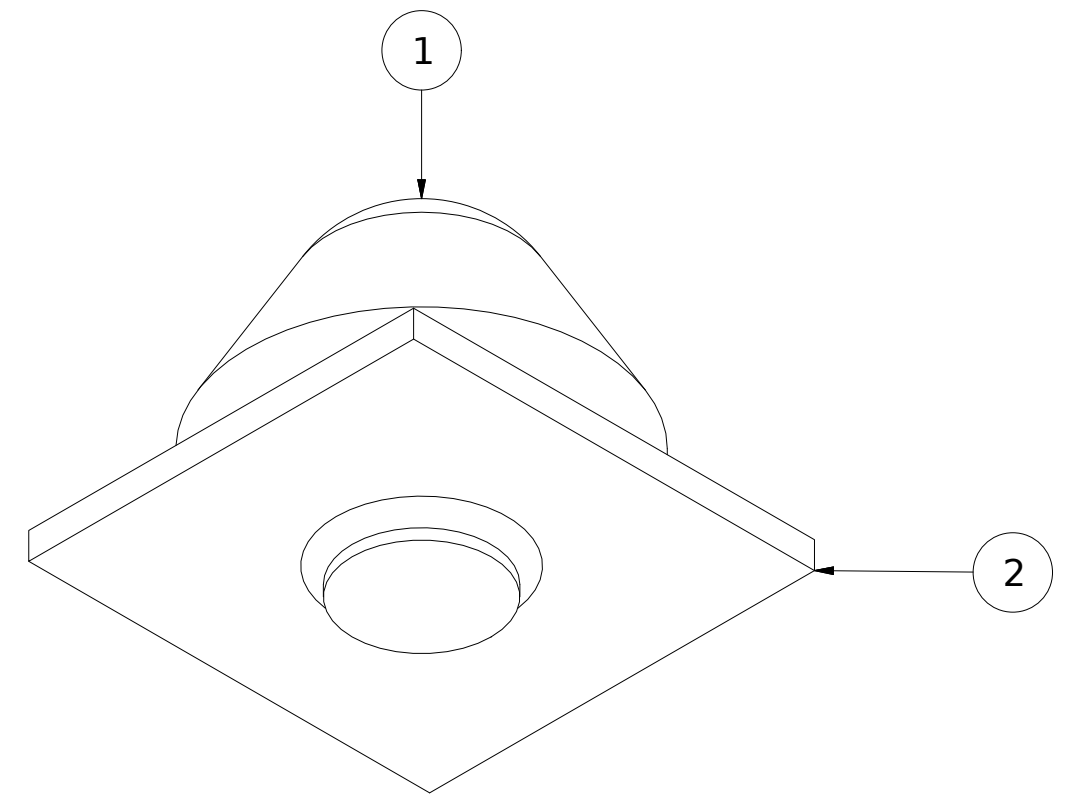
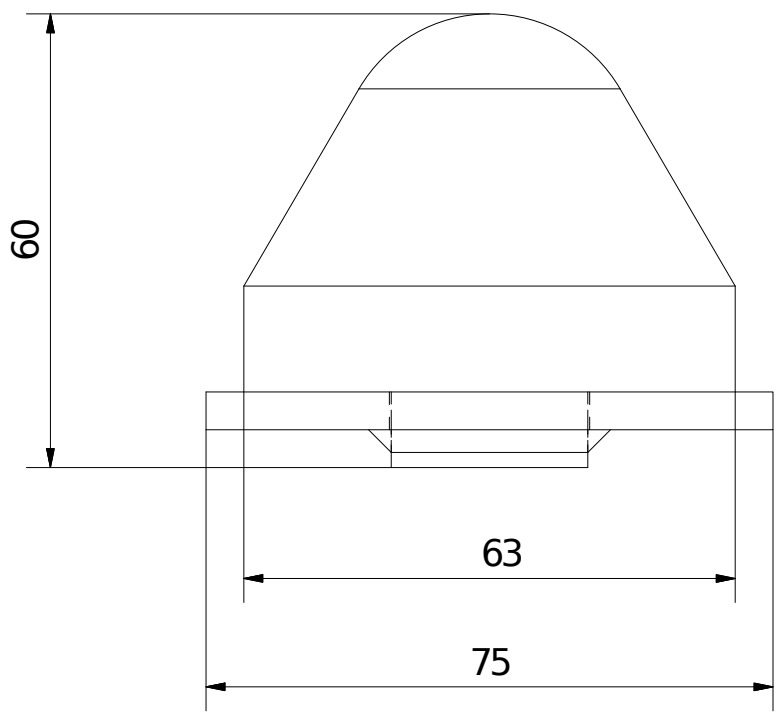


PARTS LIST			
ITEM	QTY	DESCRIPTION	MATERIAL
1	1	Spigot 75mm	Steel, Galvanized
2	1	Base Plate 75x72mm	Steel, Galvanized



<table border="1"> <tr><td>DESIGNED</td><td>RGB</td><td></td><td></td></tr> <tr><td>DRAWN</td><td>Brenton</td><td></td><td></td></tr> <tr><td>CHECKED</td><td></td><td></td><td></td></tr> <tr><td>APPROVED</td><td></td><td></td><td></td></tr> </table>	DESIGNED	RGB			DRAWN	Brenton			CHECKED				APPROVED				<table border="1"> <tr><td>NAME</td><td>SIGN</td><td>DATE</td></tr> <tr><td></td><td></td><td></td></tr> </table>	NAME	SIGN	DATE				<table border="1"> <tr><td>CLIENT</td></tr> <tr><td>RGB INDUSTRIES</td></tr> <tr><td>PROJECT</td></tr> <tr><td>DESCRIPTION</td></tr> <tr><td>FABRICATION DETAIL</td></tr> </table>	CLIENT	RGB INDUSTRIES	PROJECT	DESCRIPTION	FABRICATION DETAIL		
	DESIGNED	RGB																													
	DRAWN	Brenton																													
	CHECKED																														
APPROVED																															
NAME	SIGN	DATE																													
CLIENT																															
RGB INDUSTRIES																															
PROJECT																															
DESCRIPTION																															
FABRICATION DETAIL																															
<small>ALL INTELLECTUAL PROPERTY REMAINS THE PROPERTY OF RGB INDUSTRIES OR ITS SUBSIDIARIES.</small>			<table border="1"> <tr><td>TITLE</td><td colspan="2">SPIGOT 75mm</td></tr> <tr><td>JOB #</td><td></td><td>SCALE NTS</td></tr> <tr><td>DWG#</td><td>1000_Spigot 75mm</td><td>ALL DIMENSIONS IN MM UNLESS OTHERWISE STATED</td></tr> </table>		TITLE	SPIGOT 75mm		JOB #		SCALE NTS	DWG#	1000_Spigot 75mm	ALL DIMENSIONS IN MM UNLESS OTHERWISE STATED																		
TITLE	SPIGOT 75mm																														
JOB #		SCALE NTS																													
DWG#	1000_Spigot 75mm	ALL DIMENSIONS IN MM UNLESS OTHERWISE STATED																													
					<b>A3</b>																										