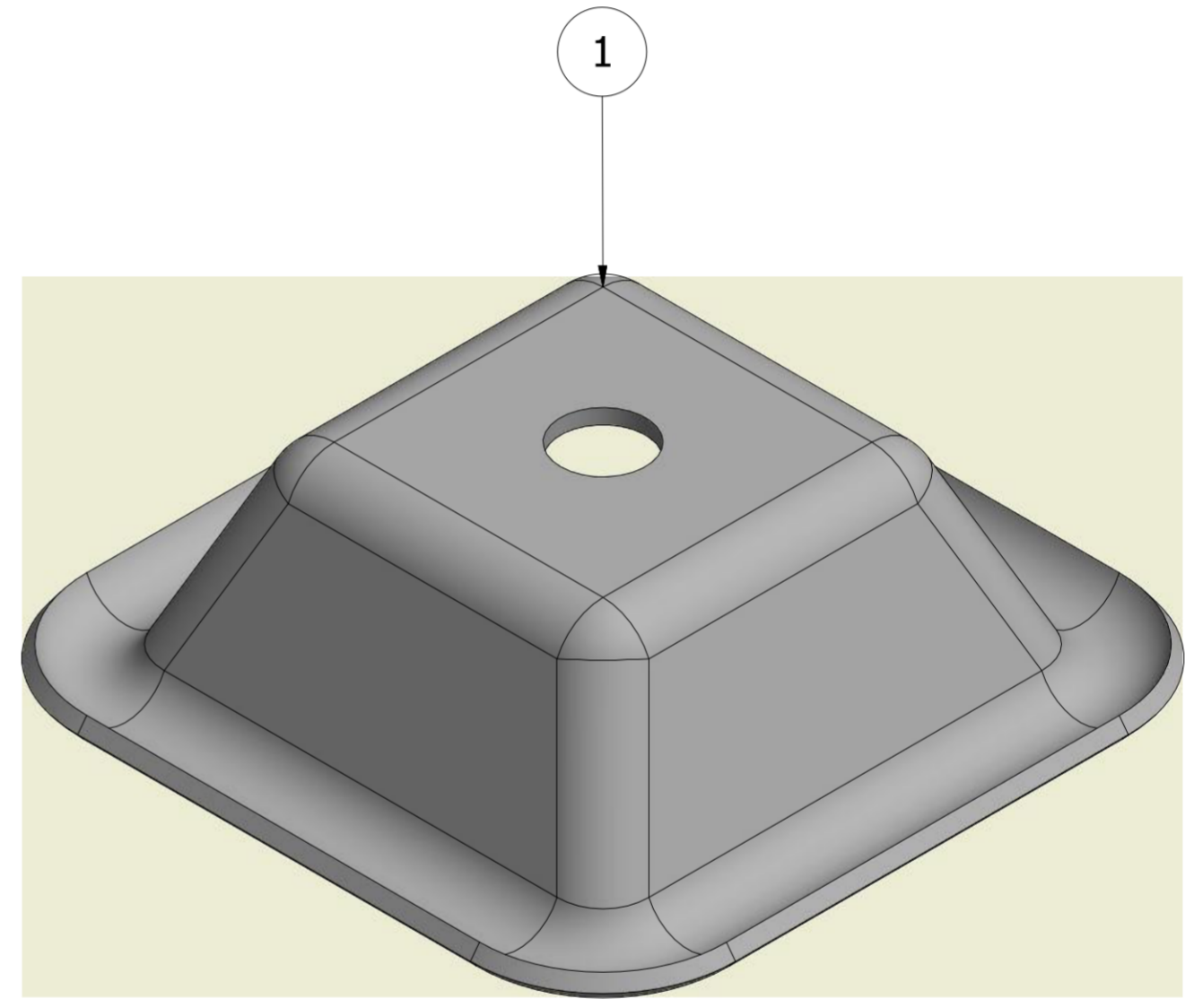
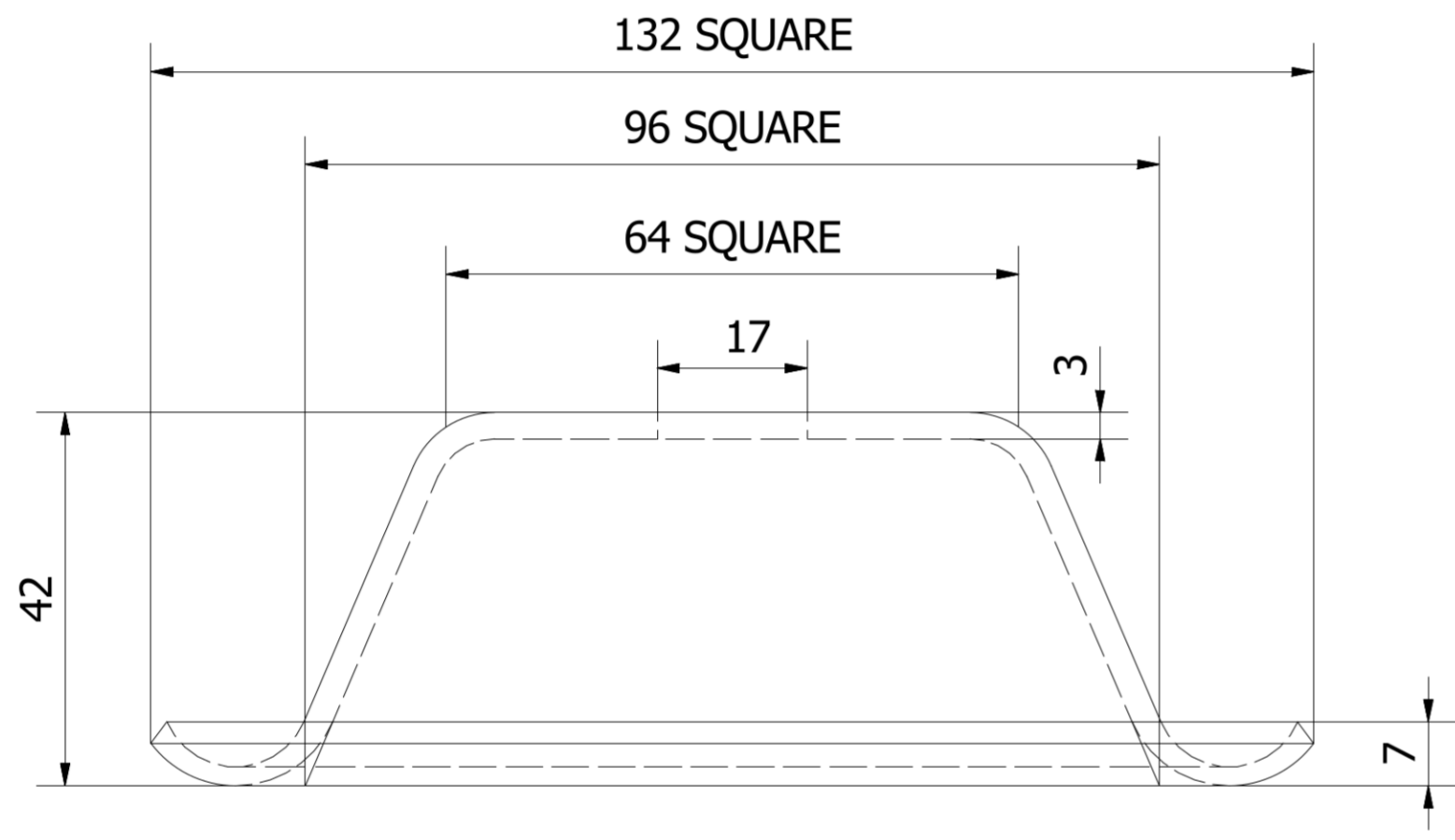





PARTS LIST			
ITEM	QTY	PART NUMBER	MATERIAL
1	1	SF132S	3mm Mild Steel



DESIGNED	Brenton	SIGN	DATE	CLIENT	
DRAWN	Brenton				
CHECKED				PROJECT	
APPROVED				DESCRIPTION FABRICATION DETAIL	
				TITLE	STILLAGE FOOT (ZINC PLATED)
				JOB #	SCALE NTS
				DWG#	SF132S
					ALL DIMENSIONS IN MM UNLESS OTHERWISE STATED
					 
					A3