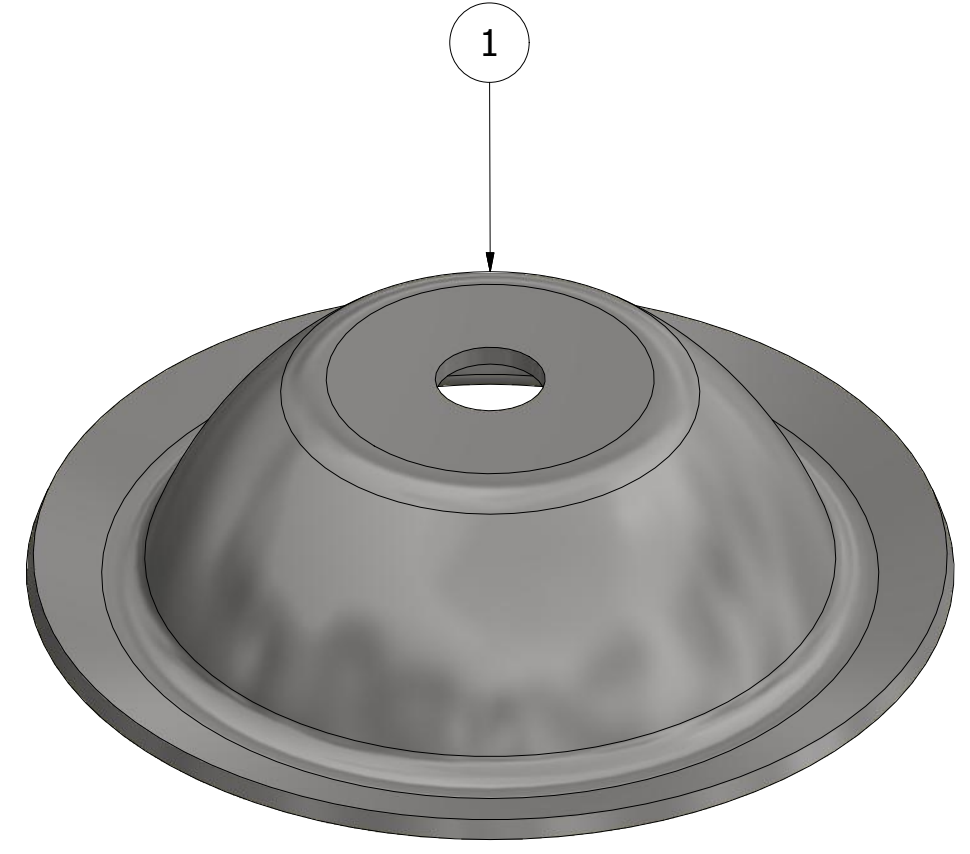
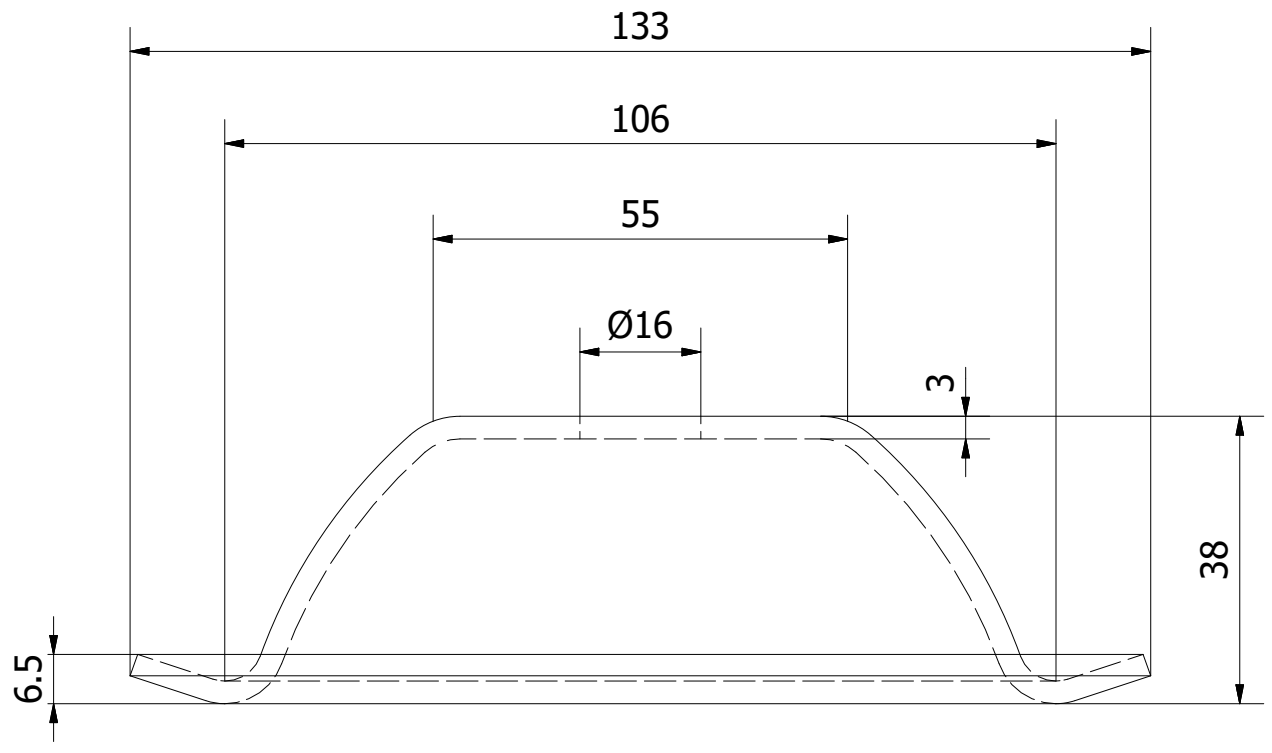


PARTS LIST			
ITEM	QTY	PART NUMBER	MATERIAL
1	1	SF133R	3mm Galvanised Steel



DESIGNED	Brenton	SIGN		DATE		CLIENT	SAXON ENGINEERING			
DRAWN	Brenton					PROJECT				
CHECKED						DESCRIPTION	FABRICATION DETAIL			
APPROVED						TITLE	STILLAGE FOOT			
<small>ALL DRAWINGS ARE COPYRIGHTED BY SAXON ENGINEERING AND MUST NOT BE DUPLICATED UNLESS PERMISSION IS GRANTED</small>						JOB #		SCALE	NTS	ALL DIMENSIONS IN MM UNLESS OTHERWISE STATED
						DWG#	SF133R			A3