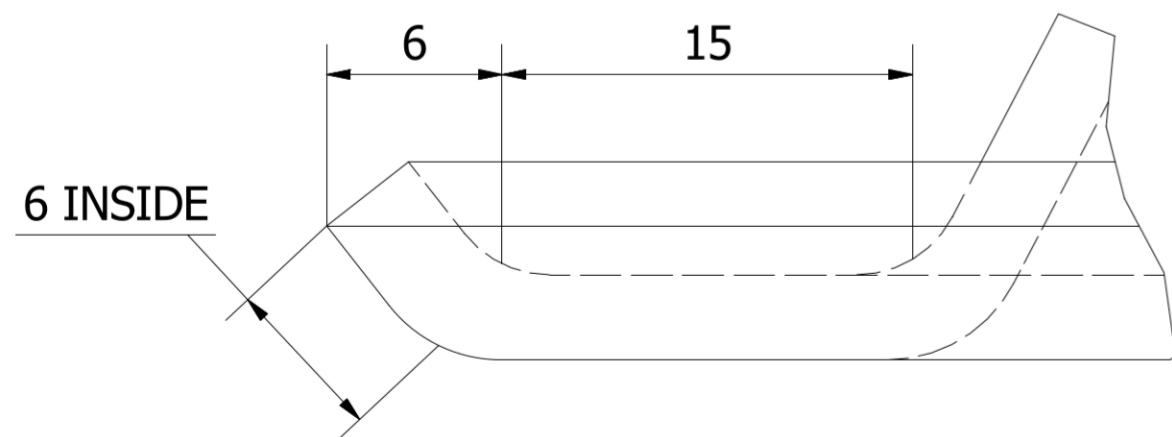
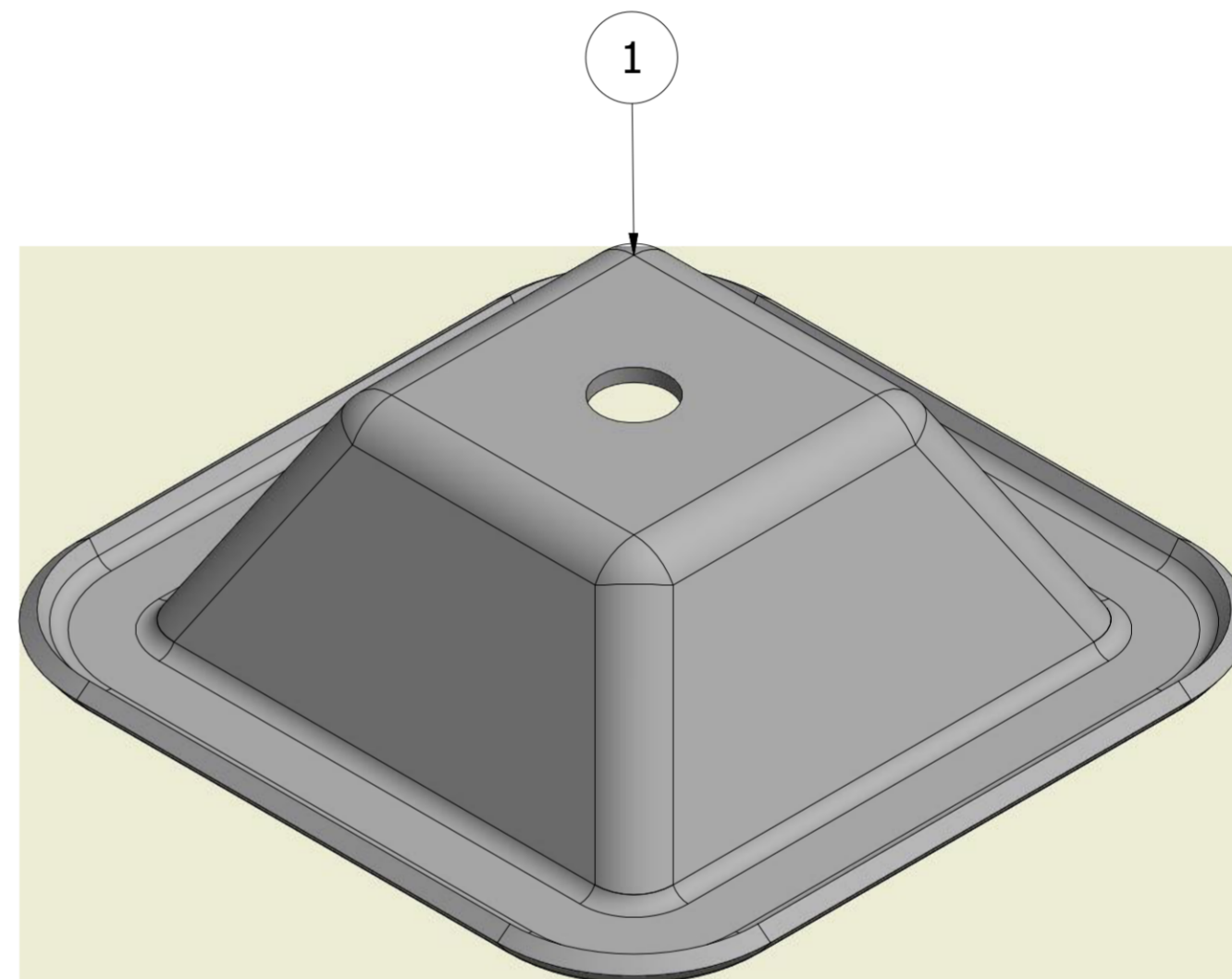
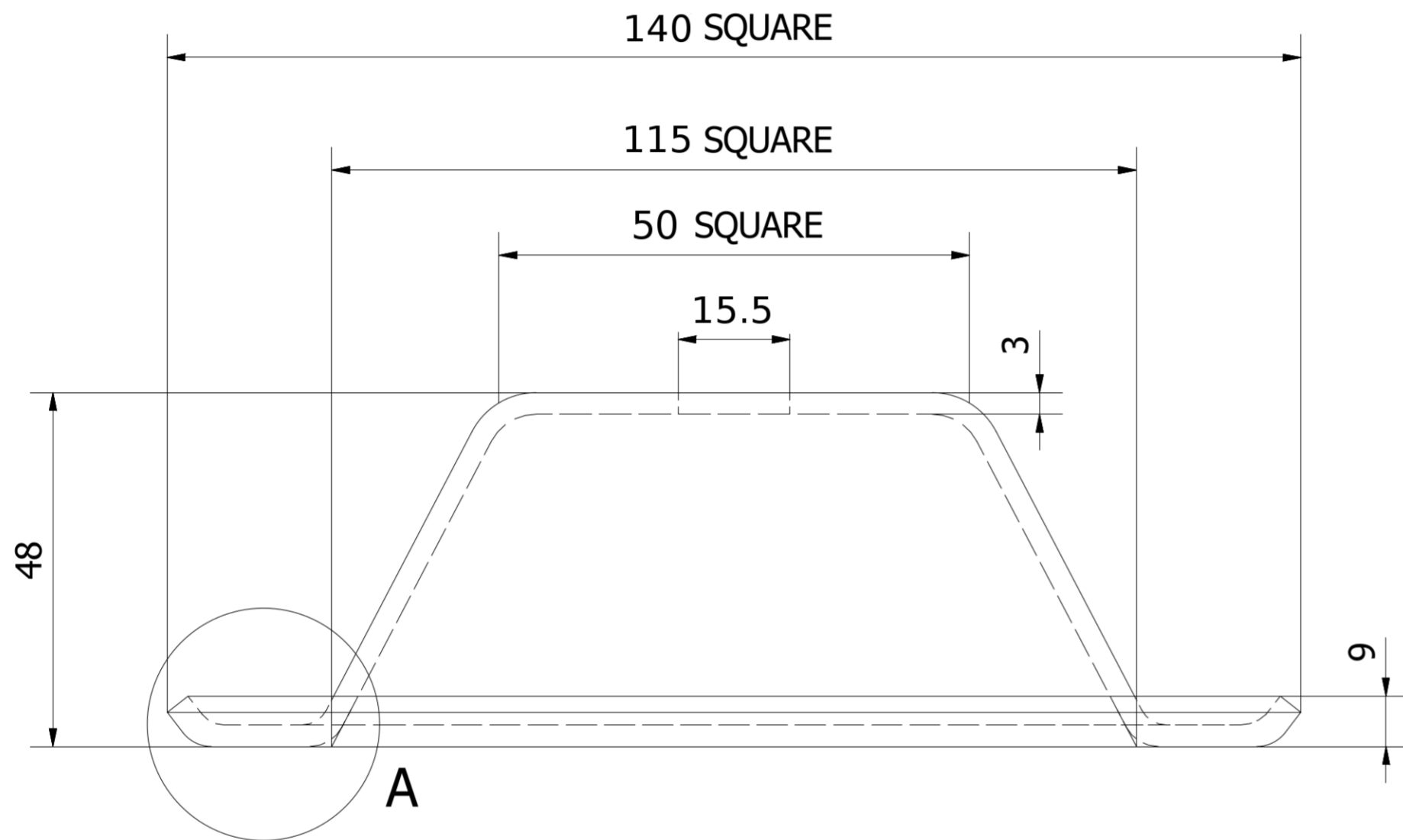


PARTS LIST			
ITEM	QTY	PART NUMBER	MATERIAL
1	1	SF140S	2.5mm Mild Steel



A (3:1)

	NAME	SIGN	DATE	CLIENT
DESIGNED	Brenton			
DRAWN	Brenton			
CHECKED				
APPROVED				
				PROJECT
				DESCRIPTION FABRICATION DETAIL

RGB INDUSTRIES

TITLE: STILLAGE FOOT (ZINC PLATED)

JOB # _____

DWG# _____

SCALE: NTS

ALL DIMENSIONS IN MM UNLESS OTHERWISE STATED

A3