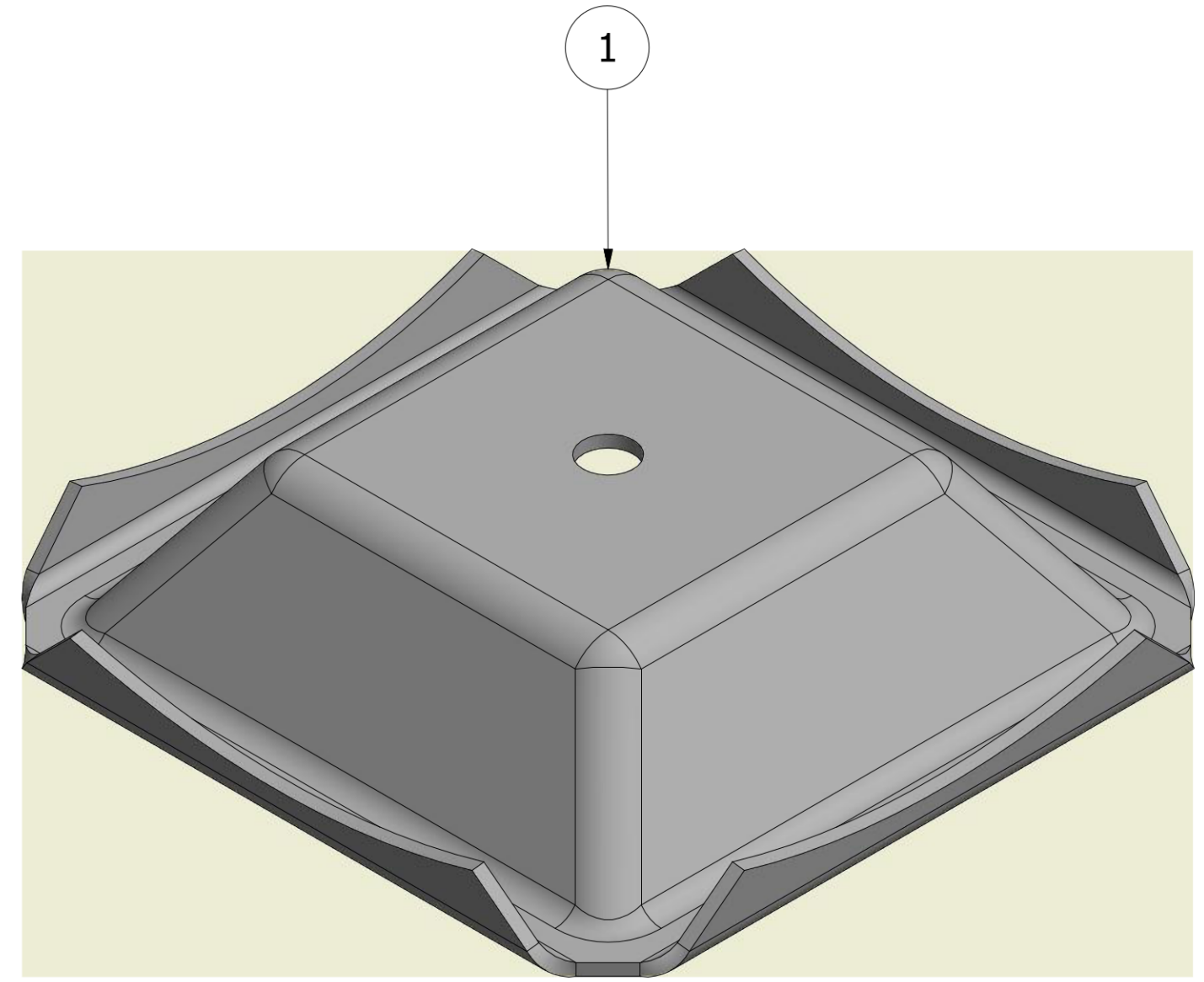
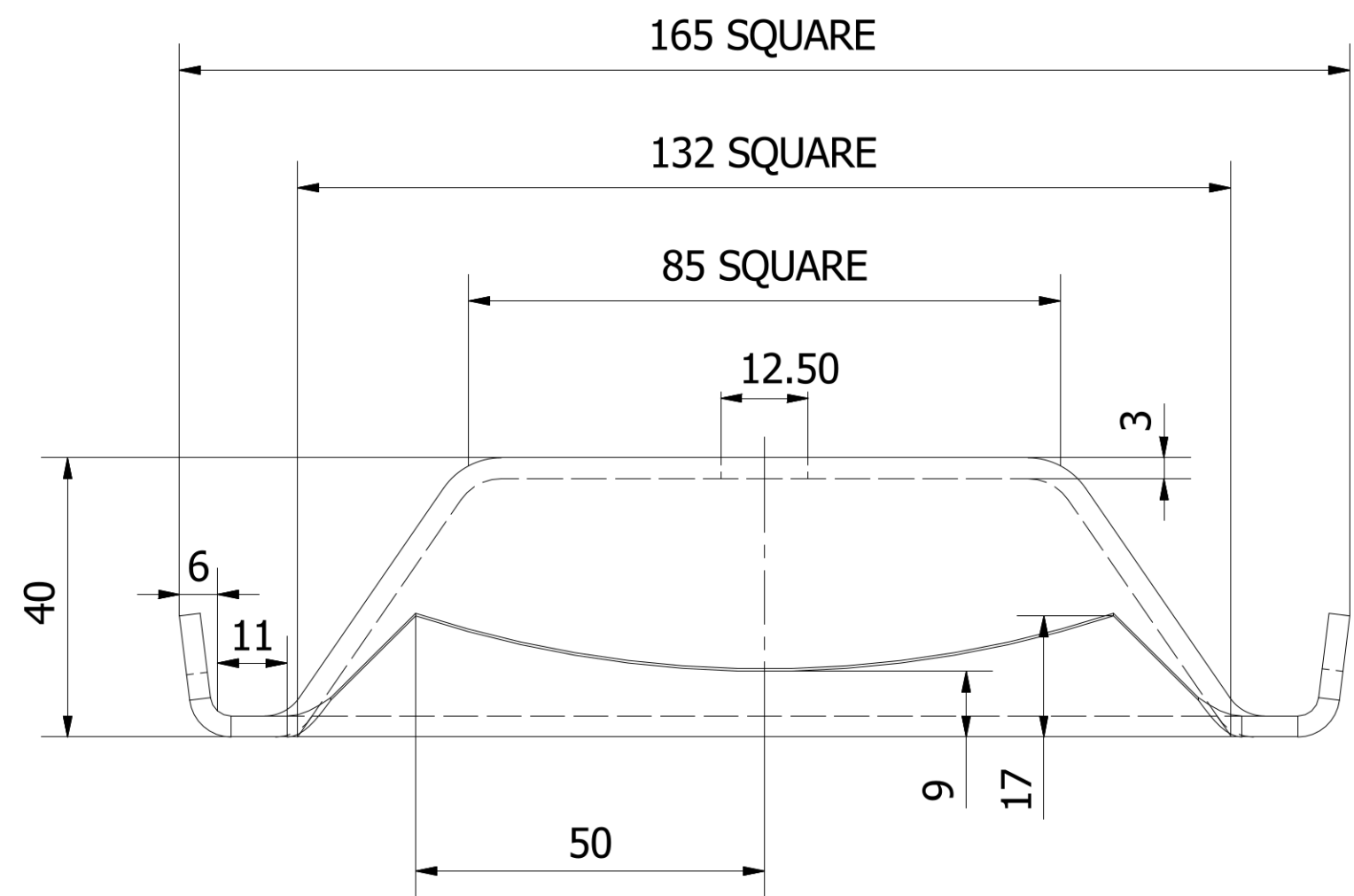





PARTS LIST			
ITEM	QTY	PART NUMBER	MATERIAL
1	1	SF165S	3mm Mild Steel



	NAME	SIGN	DATE	CLIENT				
DESIGNED	Brenton							
DRAWN	Brenton							
CHECKED				PROJECT				
APPROVED				DESCRIPTION	TITLE			
				FABRICATION DETAIL	STILLAGE FOOT (ZINC PLATED)			
					JOB #	SCALE	NTS	ALL DIMENSIONS IN MM UNLESS OTHERWISE STATED
					DWG#	SF165S	 	A3