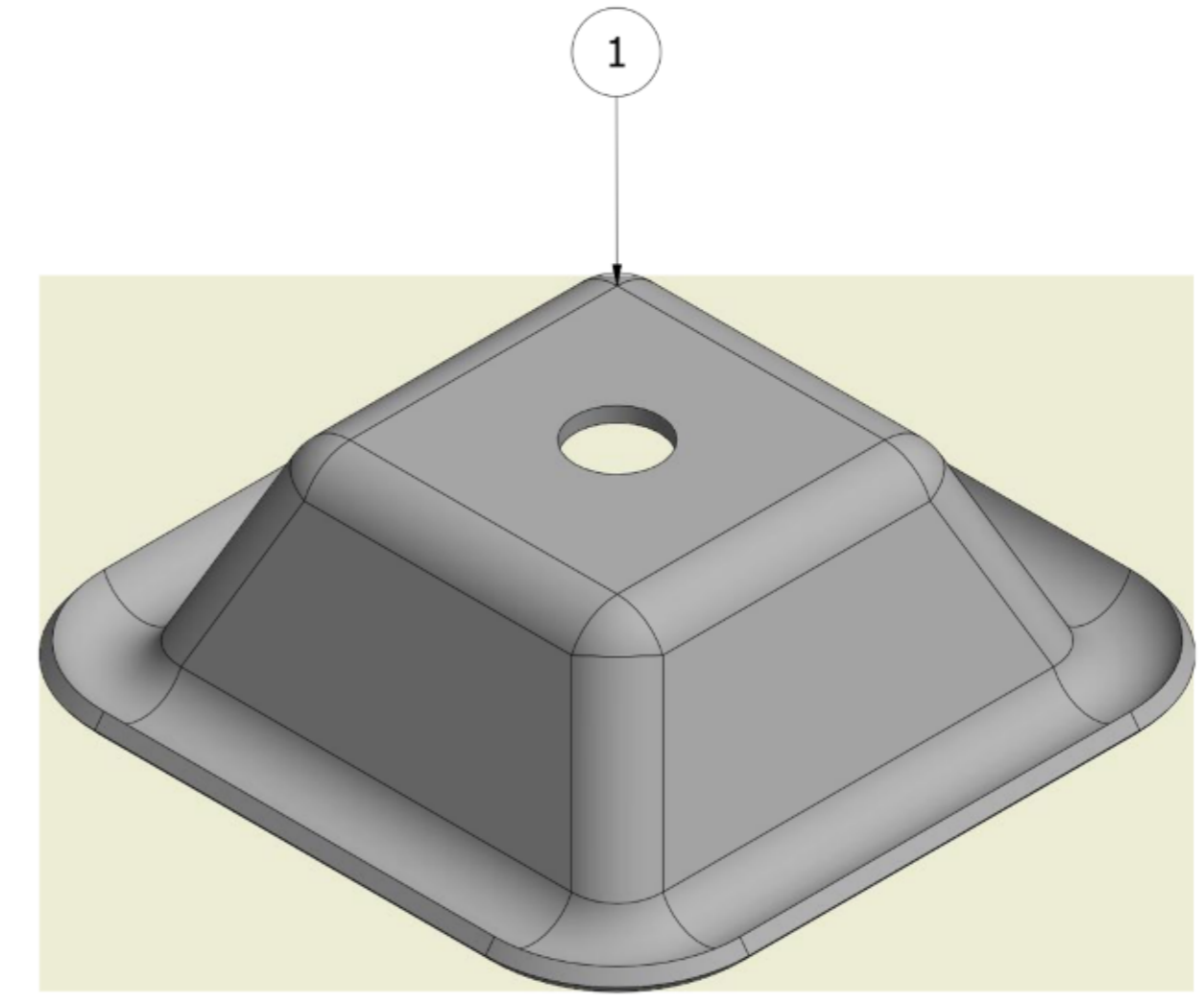
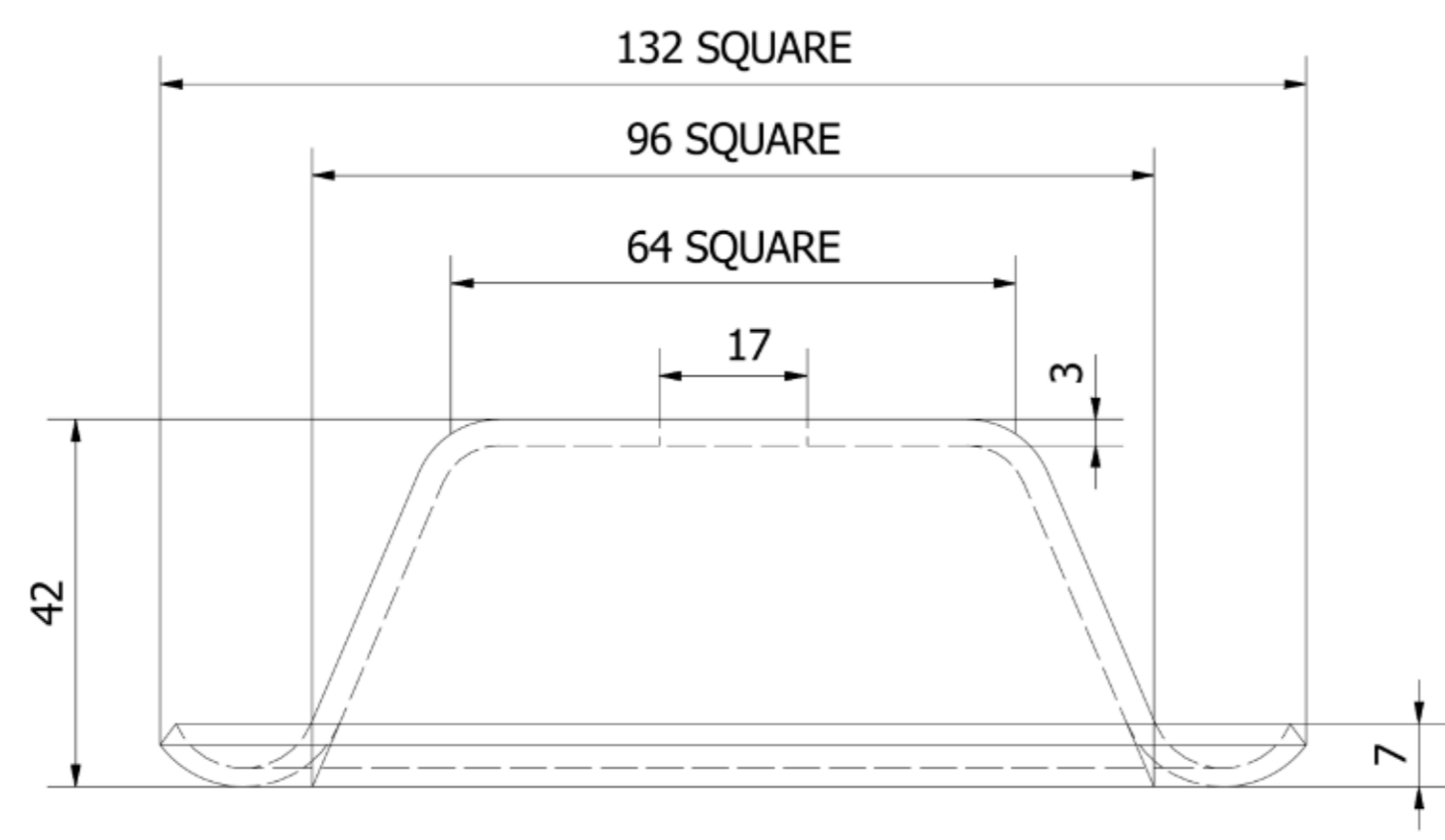


PARTS LIST			
ITEM	QTY	PART NUMBER	MATERIAL
1	1	SF132SSS	3mm Stainless Steel



DESIGNED	Brenton	SIGN	DATE	CLIENT		TITLE	STILLAGE FOOT (STAINLESS STEEL)		
DRAWN	Brenton			PROJECT		JOB #	SCALE	NTS	ALL DIMENSIONS IN MM UNLESS OTHERWISE STATED
CHECKED				DESCRIPTION		DWG#			
APPROVED				FABRICATION DETAIL		SF132S			A3